

HEARTHSCAPES



Creative Hearth Solutions™



2006 Product Catalog



The Brick Cabinet Collection

The A-B-C Adjustable Brick Cabinet

Incredible realism in a choice of brown or red brick with natural oak finish or primed shelf. These corner and flat wall models are easy to install – no messy mortar.

Cabinet Kit with unique telescopic breastplate and hearth adjusts to fit all 33" and 36" gas and electric fireplaces.

Cast urethane construction provides a high strength-to-weight ratio.

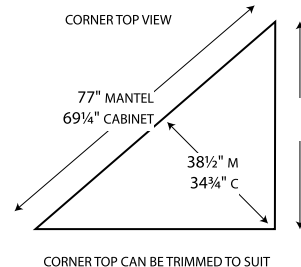
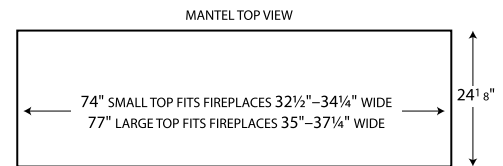
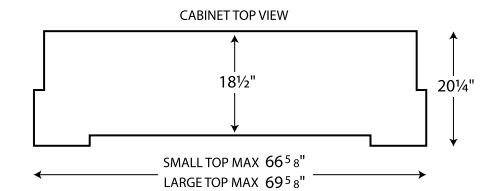
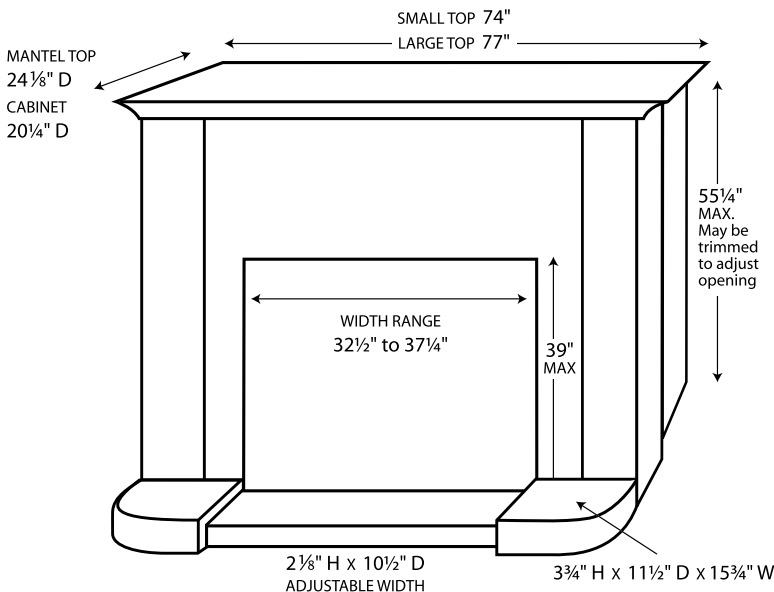


ABC Flat Wall Model

The ABC Adjustable Brick Cabinet won the prestigious 2006 Vesta Award for innovation in design and technology.



ABC CABINET SPECIFICATIONS



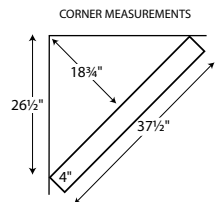
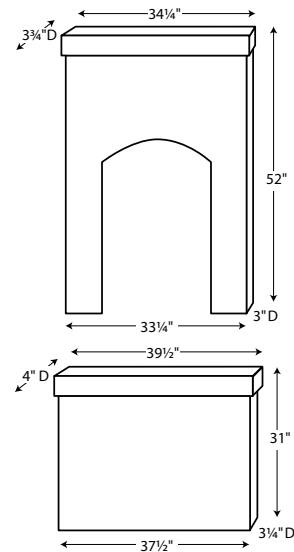


ABC Corner Model



The Portrait Fireplace Brick Cabinet

Offer the look of traditional clay brick in an easy to install cabinet surround. Fits most models of portrait style gas fireplaces. Lightweight two piece assembly for fast installation. Available in realistic, brown or red brick.





The Pillar Mantel Collection

The Pillar Mantel has the rugged look of a stone mantel of robust proportion. Available with straight or tapered legs. Generous mantel shelf in 8" or 10" depth. Hollow back construction for easy mounting over nailing strip. Choice of eight breastplate designs including carved Oak Leaf or Celtic Knot. Wingstone color choice of brown or gray.



Flamed Pillar Mantel
brown flamed legs • 8" shelf • celtic arch breastplate
beige limestone tile surround • 18" hearth and trim
optional Mantel Accent Lighting Kit



brown tapered legs • 8" shelf • oak leaf arch breastplate
brown suede tile surround • 18" hearth and trim

FIVE-YEAR WARRANTY
on all
By the Fire products



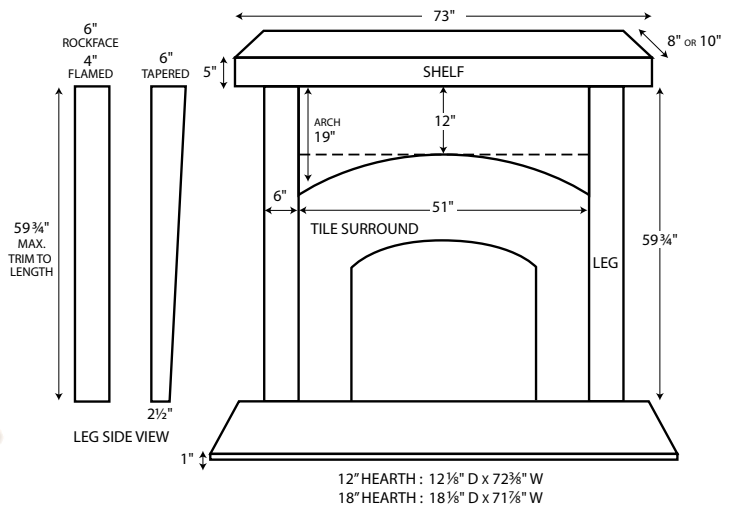
gray rockface legs • 10" shelf • celtic knot breastplate
black suede tile surround • 18" hearth and trim



gray rockface legs • 10" shelf • ledgestone keystone breastplate
green suede tile surround • 18" hearth and trim

Quick Surround Mantel Kit

Combine our Prefab Tile Surround with the Wingstone Pillar Mantel for an easy full finish installation that not only looks stunning, but installs quickly.



NOTE: When planning installation, Tile Surround & Hearth are constructed of non-combustible materials. Maintain required clearances to combustibles between fireplace and Wingstone legs, breastplate and shelf.

The Stunning Realism of WINGSTONE™

All the realism of natural stone in a lighter, easier to install material. By starting with an actual stone master to make our moulds, we replicate all the random beauty of nature. The patented process unique to Wingstone embeds pulverized natural stone into the outer layer of a structural urethane core. This reconstituted stone surface is what gives Wingstone the stunning look and feel of real stone.



Mantel Collection



Oak Leaf Arch



Celtic Arch



Sandstone Arch



Celtic Knot



Oak Leaf



Sandstone Keystone



Ledgestone Keystone



Ledgestone

Artistry Carved in Stone

Our Oak Leaf and Celtic Knot Breastplates are original commissioned designs. Hand carved in Vermont Granite, they become the masters from which we replicate our Wingstone Breastplates.



Breastplate Designs

Choose from eight Breastplate Designs in brown or grey to customize your Quick Surround Mantel Kit. From the traditional look of cut stone masonry to the sophistication of carved stone artistry, there is an option for every decorating style.

Accent Lighting Kit

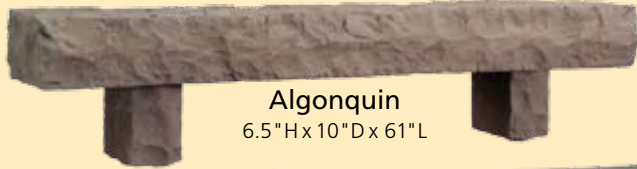
Highlight your breastplate with an optional mantel Accent Lighting Kit with 3 level touch-control dimmer.





Shelf Collection

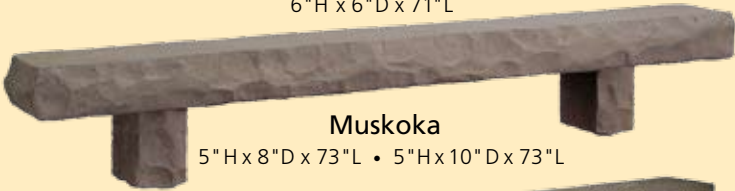
Crown your Culture Stone™ fireplace installations with Wingstone Mantel Shelves. The look and feel of a 200 lb. stone shelf that actually weighs only 20 lbs! Mounts easily over nailing strip for fast installation. Optional shelf corbels are 6" H x 7" D.



Algonquin
6.5"H x 10"D x 61"L



Manitoulin
6"H x 6"D x 71"L



Muskoka
5"H x 8"D x 73"L • 5"H x 10"D x 73"L



Manhattan
4"H x 8"D x 71.5"L

Surround & Hearth Tile Selection



Brown Suede

Tan Suede

Green Suede

Black Suede

Beige Limestone

Brown Limestone

Blue Quartz

Green Quartz

Gold Quartz

Brown Quartz

Creme Marble

Gold Marble

FireFrame Tile Surrounds & Hearths

Combine with any brand of fireplace mantel. Three-piece surround bolts together for efficient installation. Oversized tiles create a dramatic look with minimal grout joints. Matching hearths and optional Heritage Edge Trim available. Non-combustible construction.





Brick Stovescapes & Stove Surrounds



Brick Stovescape

Add a dramatic backdrop to any freestanding stove installation. Large size (pictured here) is a two piece assembly. Smaller size is one piece for instant installation. Available in red or brown brick. Stovescapes are lightweight and easy to install yet indistinguishable from hand-laid bricks and mortar.



Large Brown Brick Stovescape

Shown with Cafe au Lait Hearth Pad and Heritage Trim



Small Red Brick Stovescape

Shown with Impressions Emberstone Hearth Pad



Small Brown Brick Stovescape

Shown with Impressions Sandstone Hearth Pad



Modular Wall Panels and Trims

Select strong, lightweight modular wall panels to add the beauty of natural stone or brick to your stove setting. Install in minutes with glue & screws avoiding the mess of costly masonry construction.



Flatwall Surround

4 Buff Rockface Panels • 2 Edge Trim • 1 Small Shelf



Corner Surround

8 Gray Rockface Panels • 2 Edge Trim • 2 Small Shelves



LEDGESTONE - GRAY



LEDGESTONE - BUFF



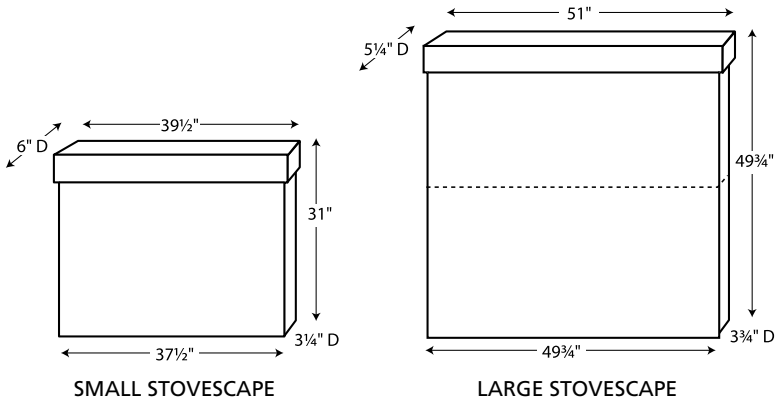
RED BRICK



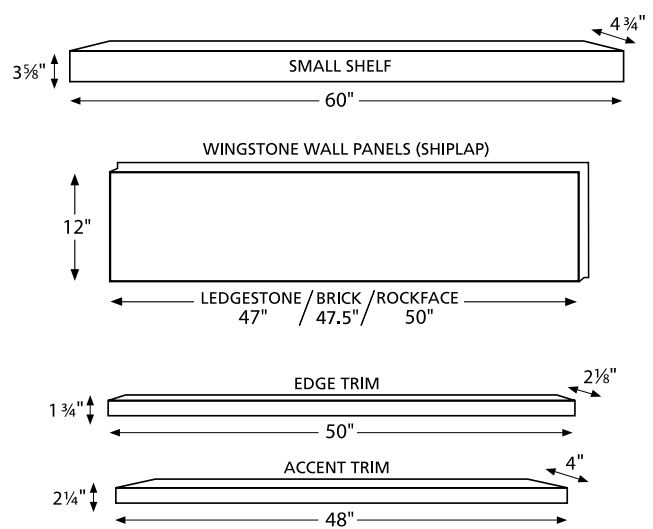
BROWN BRICK

WINGSTONE wall panels are available in six choices. Rockface panels are shown in top photos.

Stovescape Specifications



Wall Panel And Trim Specifications



NOTE: Maintain required clearances to combustibles between heating appliance and WINGSTONE components.



Tile Hearth Pads



Heritage Trim kit attaches in minutes. Metallic charcoal finish is paintable to match any stove color.

ESTATE SERIES

Graphite

Café au lait

Emberstone



STONE SERIES

Slate
(Heritage Trim not applicable)

Ashblend

Sandstone

Ironstone

Seafoam

Earthtone



- ANGLE IRON FRAME – nothing to crack, splinter or warp
- BEAUTIFUL TILE BORDER – handcrafted in every hearth pad
- INSTANT INSTALLATION – simply lay on top of existing flooring
- SAFE FLOOR PROTECTION – ULC listed floor protector

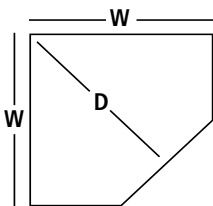


Straight Pad
standard black angle iron frame



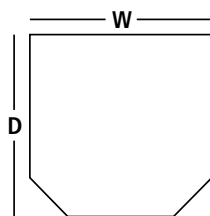
Corner Pad
optional mosaic inlay and black laminate riser

TILE PAD SPECIFICATIONS



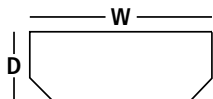
CORNER PAD

- 36" W x 36" W x 42" D (K)
- 40" W x 40" W x 49" D (K)
- 48" W x 48" W x 60" D (K)
- 54" W x 54" W x 58" D (K 64" D)
- 60" W x 60" W x 67" D



STRAIGHT PAD

- 24" D x 30" W
- 24" D x 36" W
- 30" D x 32" W
- 36" D x 36" W (K)
- 40" D x 40" W (K)
- 48" D x 48" W (K)
- 48" D x 40" W
- 54" D x 48" W (K)
- 54" D x 60" W



HEARTH EXTENSION PAD

- 12" D x 48" W
- 18" D x 48" W (K)
- 18" D x 60" W



(K) indicates sizes available for K-Plus & K-value models.

Height of Hearth Pad: 1 1/4"
Height of Hearth Pad Riser: 3 1/2"

All dimensions are approximate.
Color shade variation inherent in all clay products.

FIVE-YEAR WARRANTY
on all
By the Fire tile products



Burnished Bronze
Ironstone

IMPRESSIONS

Sculpted Hearth Pads

The rich patina of bronze, pewter and antique gold in a sculpted metallic trim. Sized perfectly for freestanding gas and pellet stoves. Available in straight wall models 30"x34" or 36"x36". Corner model is 36"x36".



Brushed Pewter
Ashblend

TILE	TRIM
GRAPHITE	PEWTER
ASHBLEND	PEWTER
EMBERSTONE	BRONZE
IRONSTONE	BRONZE
EARTHTONE	BRONZE
CAFE AU LAIT	GOLD
SANDSTONE	GOLD
SEAFOAM	GOLD



Antique Gold
Sandstone

K-Plus Hearth Pads

Rounded profile aluminum frame pad at a very affordable price. Available in two colors and nine sizes. 100% noncombustible construction.

K-Value Hearth Pads

Our most economical model. Powder coated steel frame pad available in two colors and nine sizes. 100% noncombustible construction.

Monaco



Baltic

Night Sky



Cinnamon

K-Plus and **K-Value** Hearth Pads are tested to an impressive heat conductivity value of .84 K due to their unique, insulating air pockets. Pads feature durable powder coat finished frames and are manufactured from 100% noncombustible materials.



The Stackstone Mantel Collection

These handsome mantels bring the look of natural hand-laid stone into your home. Choose from Ledgestone, Rockface or Sandstone. Ideally suited for electric fireplace or smaller gas fireplace installations. Five piece modular design installs quickly and easily with screws and glue.

Light Fast Strong



Buff Ledgestone
buff stackstone surround • light gray manitoulin shelf • light gray hearth



Gray Ledgestone



Terra Cotta Rockface



Gray Rockface



Silver Sandstone with Sand Keystones

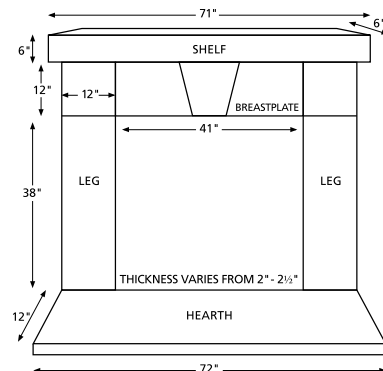


Sand Sandstone with Buff Keystones

A high strength-to-weight ratio makes WINGSTONE extremely durable and resistant to chips and scratches. UV stability inhibits fading or discoloration.

FIVE-YEAR WARRANTY
on all
By the Fire products

Maintain required clearances to combustibles between fireplace and WINGSTONE components.
Licensed under PolyRock Technologies LLC US Patent # 6,607,683 (International Patents Pending)



YOUR LOCAL BY THE FIRE DEALER



BY THE FIRE™
HEARTH PRODUCTS INC.

800-269-1620
WWW.HEARTHSCAPES.COM