



Chaska XL w/Black clean face shroud overlay



*Chaska w/
Arched Prairie
pattern full
door shroud*



*Chaska w/Rectangular Prairie
pattern full door shroud*

Tired of coming home to the inconvenience of a wood burning fireplace? Let a Kozy Heat *Chaska* gas insert solve your problems. The *Chaska* gas insert is completely airtight and is the perfect solution to your inefficient wood fireplace. The *Chaska* gas insert offers a large viewing area, realistic logs and flame, and is available in two sizes to fit almost any size of existing opening. With a variety of design and door options, the *Chaska* gas insert will make your fireplace the focal point of your home.

CHASKA SERIES OPTIONS & ACCESSORIES

Three Piece Shrouds/Door Shrouds



Standard three piece shroud



Colonial shroud



Colonial shroud w/three piece magnetic appliques



Drake pattern full door shroud



Arched Drake pattern full door shroud



Arched Prairie pattern full door shroud



Rectangular Prairie pattern full door shroud



Clean face shroud overlay - black

Also available in rust, brushed stainless and titanium. Three or four piece shroud required for installation.



Mission design doors



Mission design doors antique copper



Mission design doors brushed nickel

Finishes



Titanium finish



Rust finish

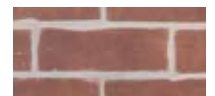


Brushed stainless finish

Refractories



Brick refractory



Red brick refractory (optional)

Controls



Wall mount thermostat



Wireless wall mount thermostat



Wireless wall switch



Remote control



IPI full function remote

CHASKA SERIES GAS INSERT SPECIFICATIONS

Model	Fuel Option	High	Low
Chaska	NG	27,500	19,000
Chaska	LP	28,000	20,400
Chaska XL	NG	36,500	22,000
Chaska XL	LP	36,000	22,000

Zone Heat

Install a Kozy Heat furnace rated, high efficient fireplace and save money - lower your fuel bill when you turn your furnace down and heat only the room(s) where you'll be spending time in.

Standard Features

- Efficiency rating: NG - 79% LP - 79% (Chaska)
- Efficiency rating: NG - 75% LP - 80% (Chaska XL)
(Steady state efficiency at high burn, In-House testing)
- **Canada P-4 approved**
- High quality lifetime ceramic glass: 14 1/4" x 29" (Chaska)
- High quality lifetime ceramic glass: 18" x 32" (Chaska XL)
- Refractory brick lining
- Quick-latch glass / pressure relief system
- Co-linear vent system - 3" combustion air / 3" exhaust
- Innovative vent connection system
- Engineer-designed burner system
- Fan kit with variable speed control (2 - 75 CFM)
- Chaska - IPI & Chaska XL - IPI only (electric ignition) - remote modulating valve system w/flame, fan adjustment & fan kit
- Upper grill/hood and lower grill (black) included
- Minnesota Energy Code compliant to 50 pascals

Optional Features

- Full door shroud designs
- Clean face shroud overlay - three or four piece shroud required for install
- Three (3 pc.) standard size shrouds and custom shrouds
- Chaska surrounds available: 25" x 38"; 27 1/2" x 42"; and 30" x 44"
- Chaska XL surrounds available: 27" x 40"; 30" x 44"; and 33" x 46"
- Mission design doors - also available in antique copper and brushed nickel
- Available finishes black, rust, titanium or brushed stainless
- Non-IPI units only: remote control or thermostatic remote control
- Non-IPI units only: wall thermostat / wireless wall mount thermostat
- Red brick refractory

Safety

- **Each unit factory tested!**
- Tested by OMNI-Test Laboratories complies with ANSI-Z21.88a-2007•CSA 2.33a-2007 'Vented Gas Fireplace Heaters'
- U.S. & Canadian installation approved
- Sealed combustion chamber with standing pilot ignition
- Removable millivolt board with 30-second safety pilot
- Automatic pressure relief glass system
- Bedroom & mobile home approved

Minimum Dimensions

Chaska

- | | |
|------------------------------------|---|
| Existing Fireplace Opening: | Existing Chimney: |
| • Height: 19 1/2" | • Class 'A' metal chimney or masonry chimney: 7" I.D. |
| • Width: 31" | • Minimum chimney height: 12' |
| • Depth: 15 1/4" | • Maximum chimney height: 30' |

Chaska XL

- | | |
|------------------------------------|---|
| Existing Fireplace Opening: | Existing Chimney: |
| • Height: 23 1/2" | • Class 'A' metal chimney or masonry chimney: 7" I.D. |
| • Width: 33 3/8" | • Minimum chimney height: 12' |
| • Depth: 16 1/2" | • Maximum chimney height: 35' |

Specifications

Chaska

- Height: 19 1/4"
- Width: 30 7/8"
- Back Width: 23 1/8"
- Depth: 14 1/2"
- Weight: 140 lbs.

Chaska XL

- Height: 23"
- Width: 33 3/8"
- Back Width: 24 3/8"
- Depth: 16"
- Weight: 158 lbs.

Clearances

Chaska

- From insert bottom to combustible floor in front 3 1/2"
- From insert to sidewall 10"
- Insert top to 3/4" trim. 8"
- Mantel 10" deep from top of insert* 13"

Chaska XL

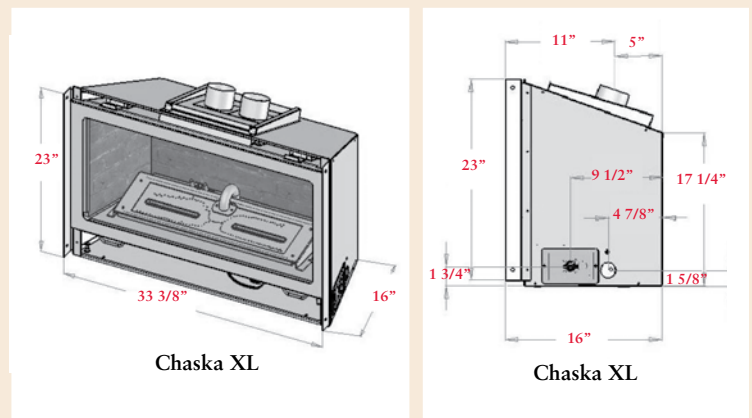
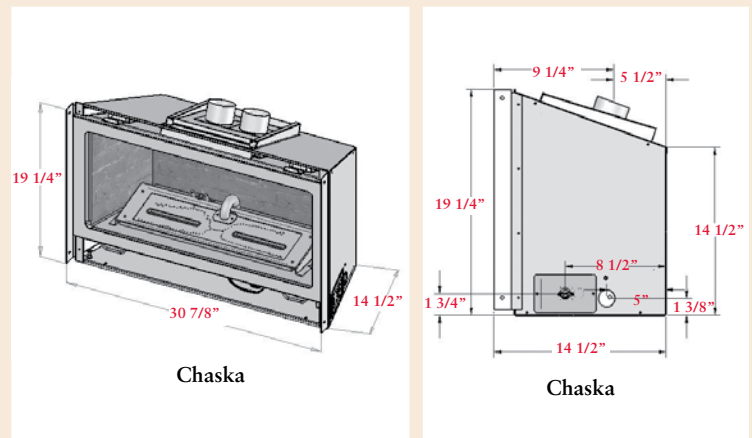
- From insert bottom to combustible floor in front 6"
- From insert bottom underneath to combustible floor 0"
- From insert to sidewall 12"
- Insert top to 3/4" trim. 12"
- Mantel 9" deep from top of insert* 16"

Vent System Approval & Requirements

This fireplace is approved for use with the following co-linear flexible vent systems:

- Simpson Dura-Vent™ DV-GS - 3" x 3"
- Selkirk Metalbestos™ Direct Chimney System - 3" x 3"
- American Metal Products™ Ameri-Vent System - 3" x 3"
- Kozy Heat™ #816 co-linear vent flexible termination kit

*Refer to the installation manual for complete installation & venting requirements.



*Features/Options & Specifications are subject to change