

WINDOM REAR DIRECT VENT GAS SPECIFICATIONS

Model	Fuel Option	High	Low	Efficiency*
#56101	NG	23,000	16,000	80%
	LP	19,000	14,000	82%

Steady state efficiency at high burn

Zone Heat

Install a Kozy Heat furnace rated, high efficient fireplace and save money - lower your fuel bill when you turn your furnace down and heat only the room(s) where you'll be spending time in.

Standard Features

- Canada P-4 approved
- One of the slimmest fireplace depths in the industry – only 11”!
- Rear vent for easy installation
- High quality borofloat glass (17” x 30”)
- Quick-latch glass with standard arched valance
- High-low regulator
- Zero clearance
- Patented burner employs groundbreaking vertical flame technology
- Tested to 50 pascals of negative pressure which passes the Minnesota Energy Code for Residential Ventilation

Optional Features

- Decorative grills (several styles/finishes available)
- Arched valance brass and/or chrome glass trim
- Black, brass and/or chrome “T” trim
- Interior or exterior black trim (for finishing around edges)
- Decorative screen doors (several styles/finishes available)
- Rectangular valance (replaces the arched valance)
- Valance screen
- Automatic fan kit with variable speed control (2 – 75 CFM)
- Remote control or thermostat remote control
- Wall mount thermostat/wireless wall mount thermostat
- Decorative beveled oval design or paneled design glass
- Brick refractory
- Black enamel panels
- Wall, corner cabinet and flush surround - refer to the cabinetry brochure

Safety

- Each unit factory tested!
- Tested by OMNI-Test Laboratories
- Complies with ANSI Z21.88-2009 • CSA 2.33-2009 ‘Vented Gas Fireplace Heater’
- Sealed combustion chamber
- Removable millivolt board with 30-second delay
- Safety pilot with piezo standing pilot ignition
- Requires **no electricity** to operate - excluding fan
- Automatic pressure relief glass system
- Bedroom and mobile home approved

Framing Dimensions

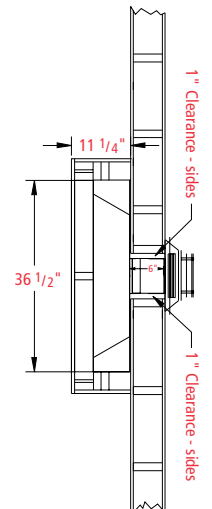
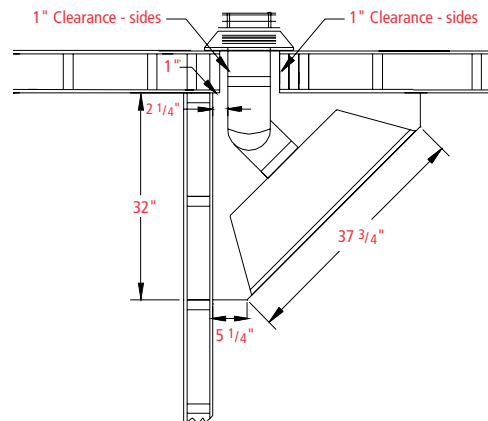
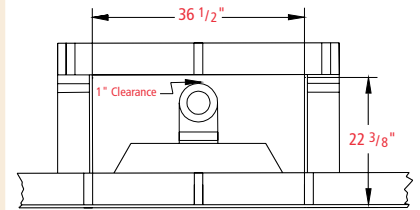
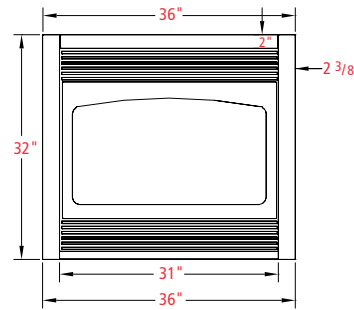
- Height - 32 1/4”
- Width - 36 1/2”
- Depth - 11 1/4”
- Platform - 36” W x 11” D
- Firestop framing - refer to vent manufacturer’s specifications

Specifications

- Height - 32”
- Height at back - 30 1/8”
- Front width - 36” Back width - 23 3/8”
- Depth - 11”
- Flue size - 4” exhaust 6 5/8” combustion air

Vent System and Requirements

- Minimum vertical vent run - 0”
- Maximum vertical run - 25’
- Minimum horizontal run - 6”
- Maximum horizontal run - 14’





Windom w/oval pattern doors & black grills



*Windom w/Prairie screen doors & design grills -
Aspen corner cabinet w/topper*



*Windom w/brushed
nickel Mission design
doors & accent grills -
Keystone wall cabinet*

Small space, big warmth...

Warm up even the smallest space with Kozy Heat's "Windom" rear-direct vent gas fireplace. With a depth of only 11", it's the slimmest fireplace in the industry! It's slim depth is one of the "Windom's" biggest benefits, not to mention an incredible burn. Choose from a variety of optional accessories to complement your home's décor.