

PRINCETON SPECIFICATIONS

Zone Heat

Install a Kozy Heat furnace rated, high efficient fireplace and save money - lower your fuel bill when you turn your furnace down and heat only the room(s) where you'll be spending time in.

Standard Features

- 35,000 BTU/hr input-NG & 34,800 BTU/hr input - LP
- High efficiency: NG - 80% LP Gas - 81%
(Steady state efficiency at high burn, in-house testing)
- **Canada P-4 approved**
- High quality lifetime warranty glass (23 3/4" x 30 1/16")
- Quick-latch glass/Pressure release system
- Accepts rigid DV vent systems or Kozy Heat #800 series flexible termination kits
- Engineer-designed burner system w/external adjustable venturi
- Model PRC-36-IPI only (electronic ignition) - remote modulating valve system w/flame, fan adjustment & fan kit
- Patented log design
- Brick refractory
- Heat damper control
- Upper grill/hood & lower grill (black)
- Minnesota Energy Code compliant to 50 pascals

Optional Features

- See page 12 for optional doors/full door faces
- Backlight kit
- Automatic fan kit w/variable speed control (2-75 CFM) - model PRC-36 only
- Remote control or thermostatic remote control - model PRC-36 only
- Wall mount thermostat/wireless wall mount thermostat - model PRC-36 only
- Red brick refractory
- Wall, corner cabinets & flush surrounds - refer to the cabinetry brochure

Safety

- **Each unit factory tested!**
- Tested by OMNI-Test Laboratories
Complies with ANSI Z21.88a-2007 • CSA 2.33a-2007 'Vented Gas Fireplace Heaters'
- Sealed combustion chamber with standing pilot ignition
- Removable millivolt board with 30-second safety pilot
- Automatic pressure relief glass system
- Bedroom and mobile home approved

Specifications

- Height - 32"
- Width - 35 7/8"
- Back Width - 24 5/8"
- Depth - 21 3/8"
- Weight - 160 lbs.

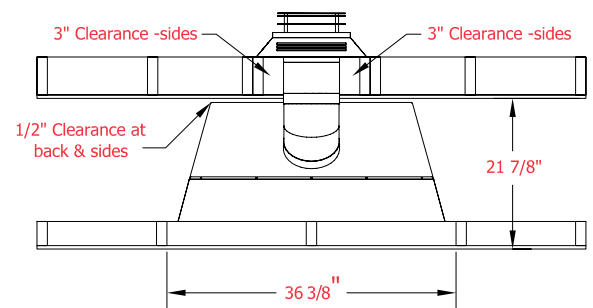
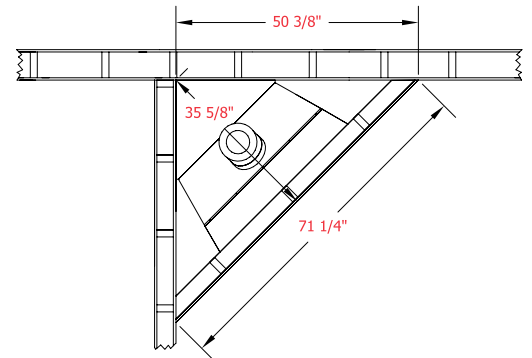
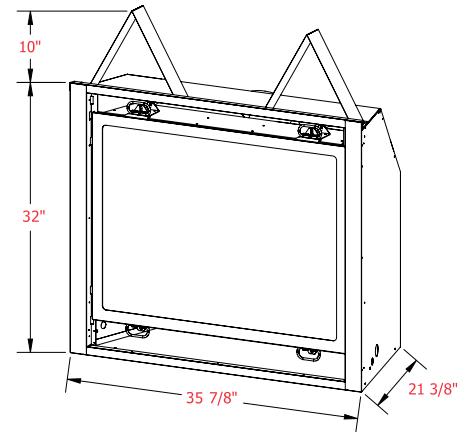
Framing Dimensions

- Height - 42"
- Width - 36 3/8"
- Depth - 21 7/8" horizontal terminations
23 7/8" vertical terminations

Clearances

- Top of unit face to framing - 10"
- From unit left & right sides & back - 1/2"
- Surround sides (flush) - 1/4"
- To flooring - 0"
- Unit top to ceiling - 31"
- From the unit's side to adjacent sidewall - 10"
- Fireplace front - 36"
- Mantel 10" deep from top of unit - 15"

*Please refer to mantel projection chart in the installation manual





Princeton IPI w/backlight & flame

Princeton w/Drake pattern full door face



*Princeton w/Arched Prairie pattern full door face -
Craftsman wall cabinet*

The *Princeton* offers the unique feature of a 21-3/8" deep firebox in a 36" fireplace. The deep box and realistic logs and flames make the *Princeton* the perfect fireplace for heating up your home on a cold night, and proves that good things come in small packages. Customize your fireplace with a wide variety of doors and fronts.